

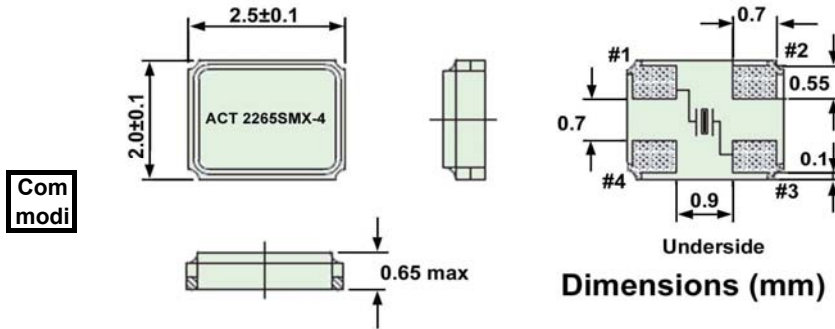
ACT2265SMX-4

The **ACT2265SMX-4** is a very compact 4 pad, high quality, low aging, seam welded crystal. Utilising a ceramic base with a metal lid, it provides for the durability and reliability, necessary for strenuous processes like infrared and vapour reflow. The lid is grounded through the package, to assist with EMC issues and the pads are gold plated. The device is very suitable for automatic placement on PCB's. With an excellent range of frequencies and stabilities it is an optimum choice for designs where PCB space is at a premium. **Applications** include PDA, Cellular, MPU Clocks, ISM, Bluetooth, WLAN & Consumer electronics. Available loose or on reels. (Standard: 3,000 pieces / reel).



Specification

Parameter	Symbol	Specification	Condition
Frequency Range	fo	16.00 ~ 50.00 MHz	AT, Fundamental
Frequency Tolerance	$\Delta f/fo$	$\pm 10\text{ppm} \sim 50\text{ppm}$ (Std) 25°C $\pm 3\text{ppm}$	Please specify
Stability over Temp Range	Tc	$\pm 5\text{ppm} \sim 100\text{ppm}$ (refer to table 2)	
Temp Operating Range	Topr	-10 ~ +60°C ~ -40 ~ +85°C	Please specify
Temp Storage Range	Tstg	-40 ~ +85°C	
Equivalent Series Resistance	ESR	Please refer to Table 1	
Load Capacitance	CL	≥ 6 pF & Series	Please specify
Shunt Capacitance	C0	7pF max	
Drive Level	DL	10 μ W typical (100 μ W max!)	
DLD		ESR x 30%	0.01 μ W ~ 100 μ W 20 steps
RLD		ESR x 100%	0.01 μ W ~ 100 μ W 20 steps
Insulation Resistance	IR	500M Ω min	@100V DC
Reflow Process		10 Seconds @ 260°C (max)	
Aging	Fa	$\pm 3\text{ppm}$ 1st year max	@25°C



Pad surface material Au

Table 1

Frequency Range (MHz)	ESR (Ω)	Mode
16.000 ~ 19.999	120	Fundamental
20.000 ~ 29.999	80	Fundamental
30.000 ~ 50.000	50	Fundamental

Table 2

Stability Temp	Frequency Stability v Operating Temperature Range							
	± 5 ppm	± 7.5 ppm	± 10 ppm	± 15 ppm	± 20 ppm	± 30 ppm	± 50 ppm	± 100 ppm
-10 ~ 60°C	✓	✓	✓	✓	✓	✓	✓	✓
-20 ~ 60°C		✓	✓	✓	✓	✓	✓	✓
0 ~ 70°C		✓	✓	✓	✓	✓	✓	✓
-10 ~ 70°C		✓	✓	✓	✓	✓	✓	✓
-20 ~ 70°C		?	✓	✓	✓	✓	✓	✓
-30 ~ 60°C			✓	✓	✓	✓	✓	✓
-20 ~ 85°C				✓	✓	✓	✓	✓
-30 ~ 70°C				✓	✓	✓	✓	✓
-30 ~ 85°C					✓	✓	✓	✓
-40 ~ 85°C					✓	✓	✓	✓
-40 ~ 90°C						✓	✓	✓
-40 ~ 105°C						✓	✓	✓

? Enquire

Please note that all parameters can not necessarily be specified in the same device

Customer to specify : Frequency, Frequency Tolerance, Temperature Stability, Operating Temperature & Load Capacitance

In line with our ongoing policy of product evolution and improvement, the above specification may be subject to change without notice

ISO9001:2000 Registered

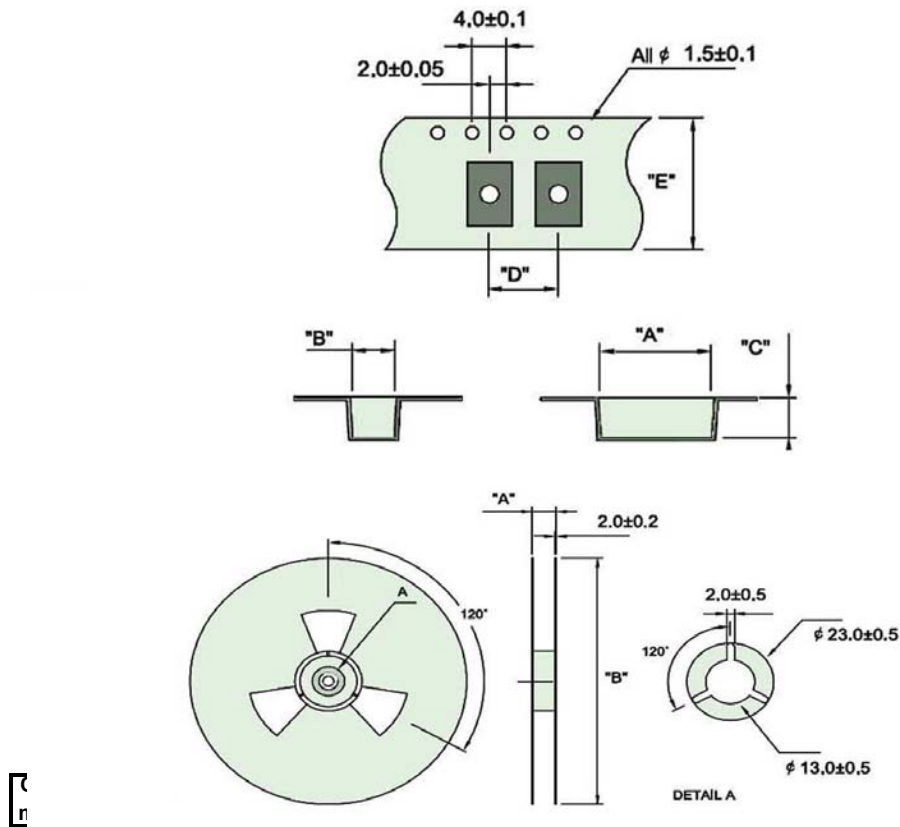
For quotations or further information please contact us at:

3 The Business Centre, Molly Millars Lane, Wokingham, Berkshire, RG41 2EY, UK

<http://www.actcrystals.com>

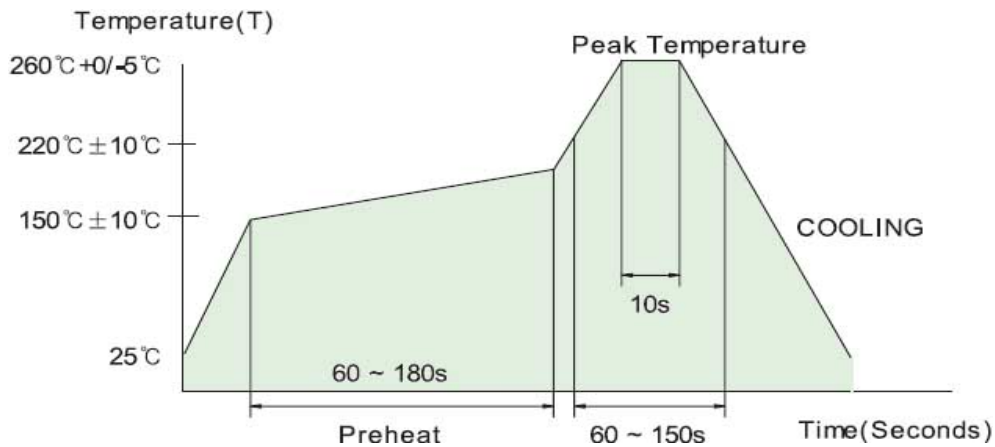
ACT2265SMX-4 Series Tape Dimensions (Units in mm)

* **Standard: 3,000 piece reels**



Quantity (pcs / Reel)	Reel dimension		Career Tape dimension				
	A	B	A	B	C	D	E
3000	11,5±0,2	φ 178±0,2	2,8±0,1	2,3±0,1	1,0±0,1	4,0±0,1	8,0±0,2

Reflow Information



In line with our ongoing policy of product evolution and improvement, the above specification may be subject to change without notice

ISO9001:2000 Registered

For quotations or further information please contact us at:

3 The Business Centre, Molly Millars Lane, Wokingham, Berkshire, RG41 2EY, UK

<http://www.actcrystals.com>

SERIES : ACT2265SMX-4 Part numbering code is CAA

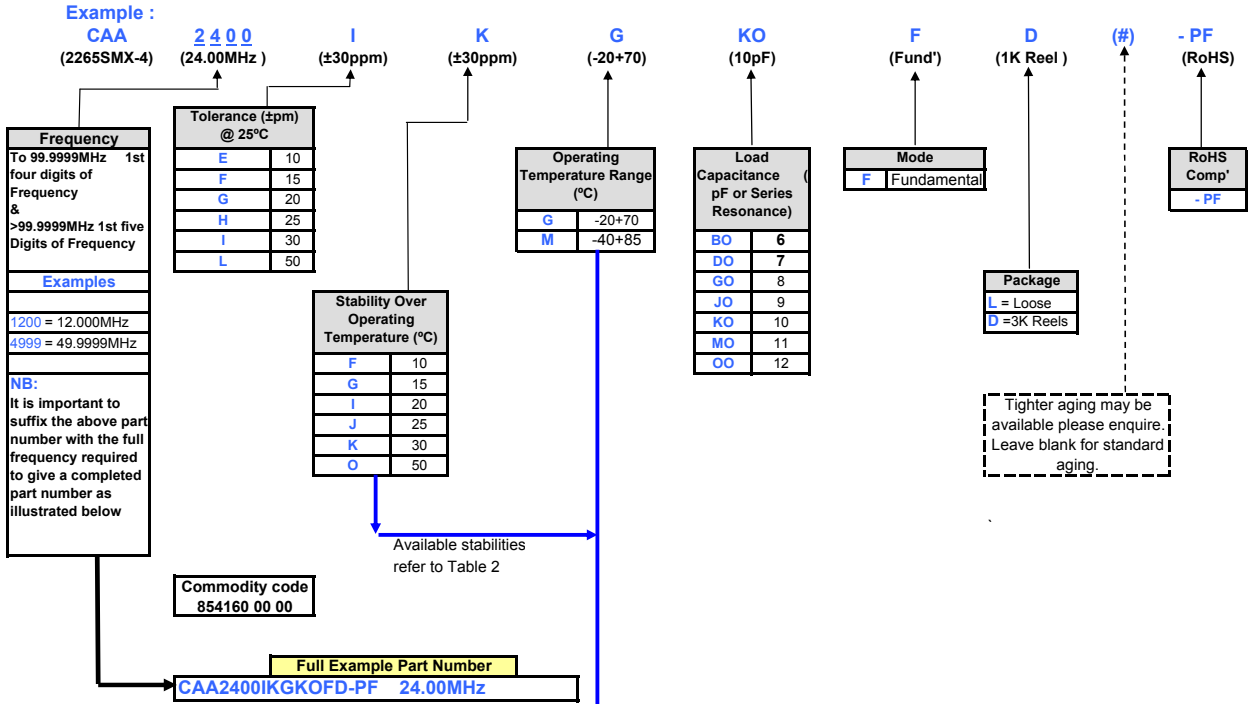


Table 2

Frequency Stability v Operating Temperature Range								
Stability Temp	± 5 ppm	± 7.5 ppm	± 10 ppm	± 15 ppm	± 20 ppm	± 30 ppm	± 50 ppm	± 100 ppm
-10 ~ 60°C	✓	✓	✓	✓	✓	✓	✓	✓
-20 ~ 60°C		✓	✓	✓	✓	✓	✓	✓
0 ~ 70°C		✓	✓	✓	✓	✓	✓	✓
-10 ~ 70°C		✓	✓	✓	✓	✓	✓	✓
-20 ~ 70°C		?	✓	✓	✓	✓	✓	✓
-30 ~ 60°C			✓	✓	✓	✓	✓	✓
-20 ~ 85°C				✓	✓	✓	✓	✓
-30 ~ 70°C				✓	✓	✓	✓	✓
-30 ~ 85°C					✓	✓	✓	✓
-40 ~ 85°C					✓	✓	✓	✓
-40 ~ 90°C						✓	✓	✓
-40 ~ 105°C							✓	✓

? Enquire

NOTES :

- 1) Tighter Tolerances and Stabilities and other Operating Temperature Ranges may be available. As each of these specification parameters impact on each other, it is not always possible to combine all options in one device. Therefore, if a specification not catered for above is required, please contact us directly for the relevant part number code(s).
- 2) ACT are always happy to consider truly custom specification parts which may require non-standard specification parameters, specific testing, customer requested AQL requirements, non standard packaging or taping and reeling and custom marking. Such devices would normally be allocated a custom specification part number which is wholly customer specific.
 (eg: A 24.00MHz custom ACT2265SMX-4 device may have a part number such as CAA4000-00241 PF)
- 3) A guide to availability of tighter stabilities appears in Table 2 of the data sheet
- 4) Frequencies below 10.000MHz are prefixed with a "0" (eg: 0900 = 9MHz. Whereas 10.000MHz is 1000) See main data sheet for available frequency range.